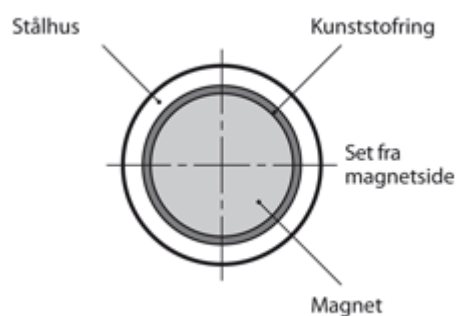


Article number: 201221398

Description: E+G Magnet - female thread GN 50.2-SC-16-M4
SC Samarium cobalt, 200°C, 60N

Measures



d1 = 16 ±0,1

d2 = M4x7

d3 = 6 ±0,1

h = 4,5 ±0,1

Holding force N = 60

Material = SC Samarium cobalt - 200° C

t = 6